

Haliburton Road @ Wesley Road

Thursday, March 05, 2020



The data presented here is for information purposes only and should not be considered authoritative for construction, geotechnical, engineering, navigational, legal, or other site-specific uses. The information shared is owned by the Transportation Division of the Engineering Department at the District of Saanich. Accuracy is not guaranteed.

ERING

Major Route: Haliburton Road
Minor Route: Wesley Road
Municipality: Saanich
Filename: Haliburton Rd @ Wesley Rd-Mar 5, 2020.xlsx
Location #: TIN001627
Count ID: 202007
Date: March 5, 2020
Day-of-week: Thursday

East/West Route: Haliburton Road
Intersection Type: 4-leg
Signalized?: No
Weather: Rain and wet

Vehicle Classifications: Vehicles and Peds
 Bikes

This data is for Vehicles and Peds

Shift	Start	End	Duration
AM	7:30	9:30	2.00
MD			
PM	15:30	18:30	3.00
Total	7:30	18:30	5.00

Notes: 24-hour clock used for reporting (15-minute increments)
 North Approach - southbound vehicles approaching intersection from the north
 15x4 - 15 min volume (from maximum 15 minute period of movement/approach in peak hour period [*]) x 4
 Pedestrians - N indicates pedestrians crossing north approach (east/west)

Comments:

**AM Peak Period
Vehicles and Peds**

**Haliburton Road @ Wesley Road
Thursday, March 5, 2020**

Time Period Begins	Wesley Rd				Wesley Rd				Haliburton Rd				Haliburton Rd				Total Volume		Ped Vol	Crosswalks				Conflict	
	NORTH Approach				SOUTH Approach				WEST Approach				EAST Approach				15-min	Hour		N	S	W	E	15 min	Hr
	Left	Thru	Right	Total	Left	Thru	Right	Total	Left	Thru	Right	Total	Left	Thru	Right	Total									
7:30	6	1	28	35	10	1	0	11	9	9	0	18	0	11	3	14	78		4	2	2	0	62		
7:45	10	0	40	50	8	2	0	10	27	8	0	35	0	15	10	25	120		5	2	2	0	100		
8:00	11	2	51	64	7	5	2	14	16	10	3	29	0	16	13	29	136	*	2	0	3	0	105		
8:15	8	0	33	41	3	1	2	6	20	15	5	40	0	11	5	16	103	437*	4	0	6	0	72	339	
8:30	18	4	50	72	8	3	3	14	34	14	4	52	1	13	9	23	161	520*	8	0	2	1	118	395	
8:45	43	3	80	126	9	0	0	9	29	9	4	42	0	13	25	38	215	615+	13	0	17	0	159	454	
9:00	15	1	46	62	4	2	1	7	14	13	3	30	0	11	9	20	119	598	4	0	5	0	85	434	
9:15	6	2	18	26	6	0	0	6	8	11	1	20	0	8	4	12	64	559	6	0	1	2	46	408	
n/a																									
n/a																									
n/a																									
n/a																									
n/a																									
n/a																									
n/a																									
n/a																									
n/a																									
n/a																									
n/a																									
n/a																									
n/a																									
n/a																									
n/a																									
n/a																									
n/a																									

Total	117	13	346	476	55	14	8	77	157	89	20	266	1	98	78	177	996						
Avg Hr	59	7	173	238	28	7	4	39	79	45	10	133	1	49	39	89	498						

46	4	38	3
23	2	19	2

747

Peak hour of the intersection

Pk Hr	80	9	214	303	27	9	7	43	99	48	16	163	1	53	52	106	615	*
15x4	172	16	320	504	36	20	12	56	136	60	20	208	4	64	100	152	860	+
PHF	0.47	0.56	0.67	0.60	0.75	0.45	0.58	0.77	0.73	0.80	0.80	0.78	0.25	0.83	0.52	0.70	0.72	

27	0	28	1
52	0	68	4
0.52	n/a	0.41	0.25

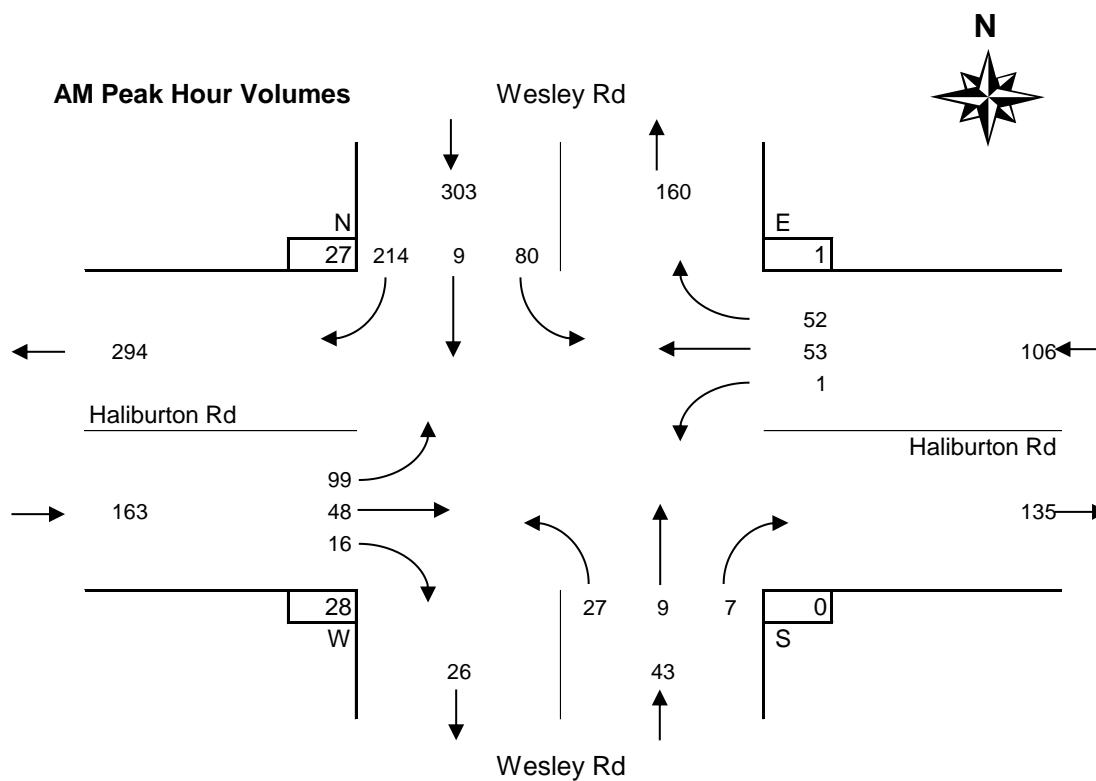
454
672
0.68

Peak hour of conflicting volumes for the intersection

Pk Hr	80	9	214	303	27	9	7	43	99	48	16	163	1	53	52	106	615	*
15x4	172	16	320	504	36	20	12	56	136	60	20	208	4	64	100	152	860	+
PHF	0.47	0.56	0.67	0.60	0.75	0.45	0.58	0.77	0.73	0.80	0.80	0.78	0.25	0.83	0.52	0.70	0.72	

27	0	28	1
52	0	68	4
0.52	n/a	0.41	0.25

454
672
0.68



Time Period Begins	Wesley Rd NORTH Approach				Wesley Rd SOUTH Approach				Haliburton Rd WEST Approach				Haliburton Rd EAST Approach				Total Volume		Ped Vol	Crosswalks				Conflict	
	Left	Thru	Right	Total	Left	Thru	Right	Total	Left	Thru	Right	Total	Left	Thru	Right	Total	15-min	Hour		N	S	W	E	15 min	Hr
n/a																									
n/a																									
n/a																									
n/a																									
n/a																									
n/a																									
n/a																									
n/a																									
n/a																									
n/a																									
n/a																									
n/a																									
n/a																									
n/a																									
n/a																									
n/a																									
n/a																									
n/a																									

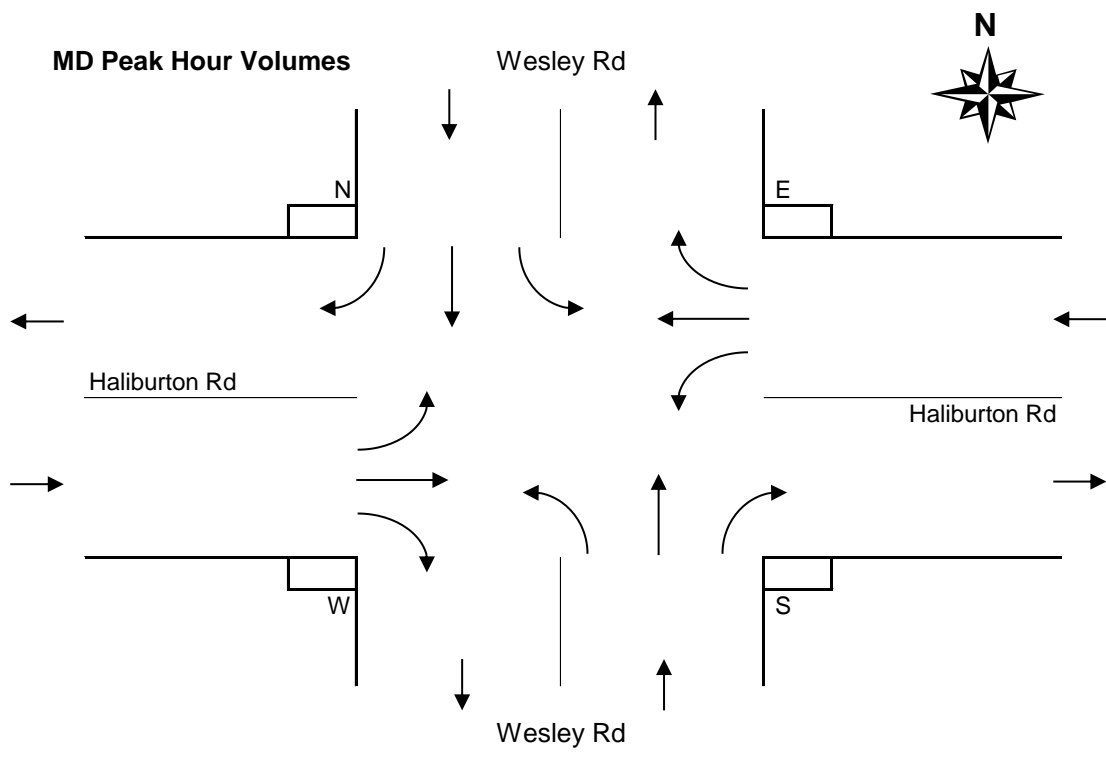
Total																							
Avg Hr																							

Peak hour of the intersection

Pk Hr																							
15x4																							
PHF																							

Peak hour of conflicting volumes for the intersection

Pk Hr																							
15x4																							
PHF																							



Time Period Begins	Wesley Rd				Wesley Rd				Haliburton Rd				Haliburton Rd				Total Volume		Total Ped	Crosswalks				Conflict	
	NORTH Approach				SOUTH Approach				WEST Approach				EAST Approach				15-min	Hour		N	S	W	E	15 min	Hr
	Left	Thru	Right	Total	Left	Thru	Right	Total	Left	Thru	Right	Total	Left	Thru	Right	Total									
15:30	35	3	80	118	3	2	3	8	27	21	4	52	0	8	9	17	195		35	1	33	0	130		
15:45	22	0	29	51	5	3	0	8	12	11	3	26	1	11	8	20	105		8	0	5	0	65		
16:00	10	6	15	31	3	0	0	3	9	15	4	28	0	16	7	23	85		0	0	2	0	56		
16:15	4	1	21	26	4	0	2	6	18	15	5	38	0	7	9	16	86	471	3	0	0	2	60	311	
16:30	10	2	17	29	2	2	0	4	15	11	4	30	1	12	9	22	85	361	2	0	0	0	57	238	
16:45	9	3	24	36	4	2	0	6	13	22	4	39	1	14	14	29	110	366*	2	0	1	2	72	245	
17:00	17	1	26	44	3	1	0	4	20	18	8	46	0	8	7	15	109	390*	3	0	0	0	65	254	
17:15	11	5	33	49	2	3	1	6	30	16	10	56	2	9	5	16	127	431*	4	2	4	0	84	278	
17:30	10	0	36	46	4	1	0	5	27	27	5	59	0	12	8	20	130	476+	6	1	2	0	87	308	
17:45	3	0	20	23	5	0	1	6	15	14	11	40	0	9	5	14	83	449	2	0	2	0	54	290	
18:00	3	3	19	25	0	1	0	1	25	15	3	43	0	9	5	14	83	423	1	1	1	1	61	286	
18:15	7	2	21	30	2	1	0	3	21	8	4	33	0	8	6	14	80	376	2	0	0	0	60	262	
n/a																									
n/a																									
n/a																									
n/a																									
n/a																									
n/a																									
n/a																									
n/a																									

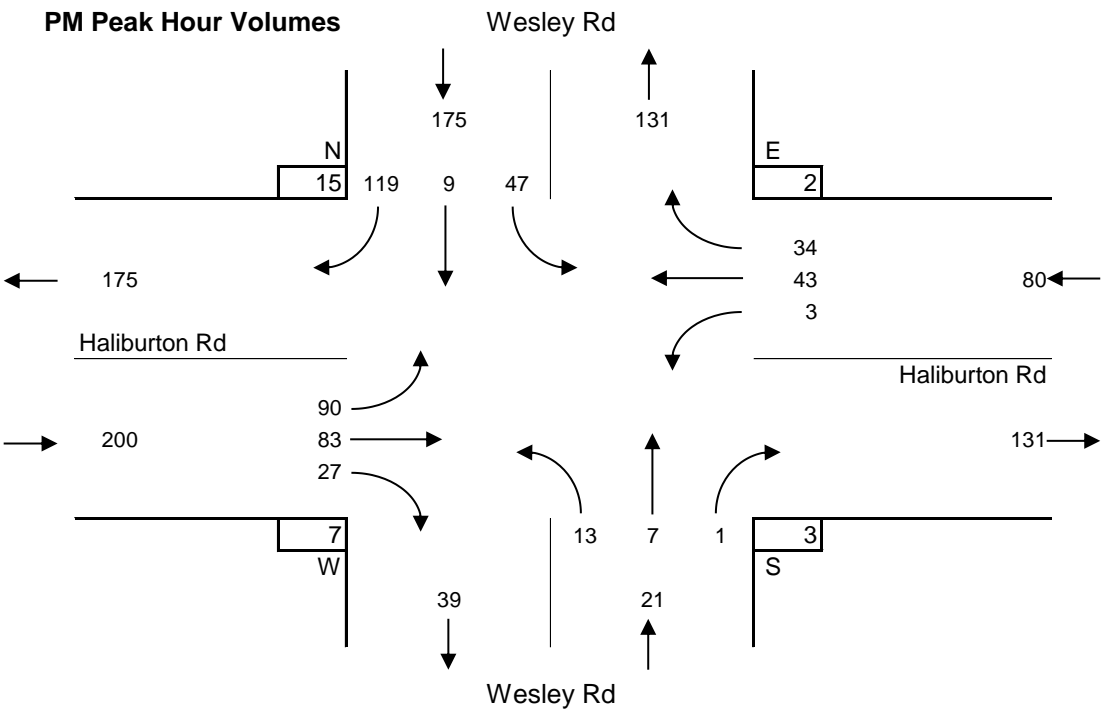
Total	141	26	341	508	37	16	7	60	232	193	65	490	5	123	92	220	1278							68	5	50	5	851	
Avg Hr	47	9	114	169	12	5	2	20	77	64	22	163	2	41	31	73	426								23	2	17	2	

Peak hour of the intersection

Pk Hr	47	9	119	175	13	7	1	21	90	83	27	200	3	43	34	80	476*									15	3	7	2	308	
15x4	68	20	144	196	16	12	4	24	120	108	40	236	8	56	56	116	520*										24	8	16	8	412
PHF	0.69	0.45	0.83	0.89	0.81	0.58	0.25	0.88	0.75	0.77	0.68	0.85	0.38	0.77	0.61	0.69	0.92										0.63	0.38	0.44	0.25	0.75

Peak hour of conflicting volumes for the intersection

Pk Hr	71	10	145	226	15	5	5	25	66	62	16	144	1	42	33	76	471*										46	1	40	2	311	
15x4	140	24	320	472	20	12	12	32	108	84	20	208	4	64	36	92	780*											140	4	132	8	572
PHF	0.51	0.42	0.45	0.48	0.75	0.42	0.42	0.78	0.61	0.74	0.80	0.69	0.25	0.66	0.92	0.83	0.60											0.33	0.25	0.30	0.25	0.54



Entire Survey Period

5 Hours

	Wesley Rd				Wesley Rd				Haliburton Rd				Haliburton Rd				Total Volume	Crosswalks			
	NORTH Approach				SOUTH Approach				WEST Approach				EAST Approach					N	S	W	E
	Left	Thru	Right	Total	Left	Thru	Right	Total	Left	Thru	Right	Total	Left	Thru	Right	Total					
Total	258	39	687	984	92	30	15	137	389	282	85	756	6	221	170	397	2274	114	9	88	8
Avg Hr	52	8	137	197	18	6	3	27	78	56	17	151	1	44	34	79	455	23	2	18	2

AM Peak Period

2 Hours

	Wesley Rd				Wesley Rd				Haliburton Rd				Haliburton Rd				Total Volume	Crosswalks			
	NORTH Approach				SOUTH Approach				WEST Approach				EAST Approach					N	S	W	E
	Left	Thru	Right	Total	Left	Thru	Right	Total	Left	Thru	Right	Total	Left	Thru	Right	Total					
Totals	117	13	346	476	55	14	8	77	157	89	20	266	1	98	78	177	996	46	4	38	3
Avg Hr	59	7	173	238	28	7	4	39	79	45	10	133	1	49	39	89	498	23	2	19	2

MD Peak Period

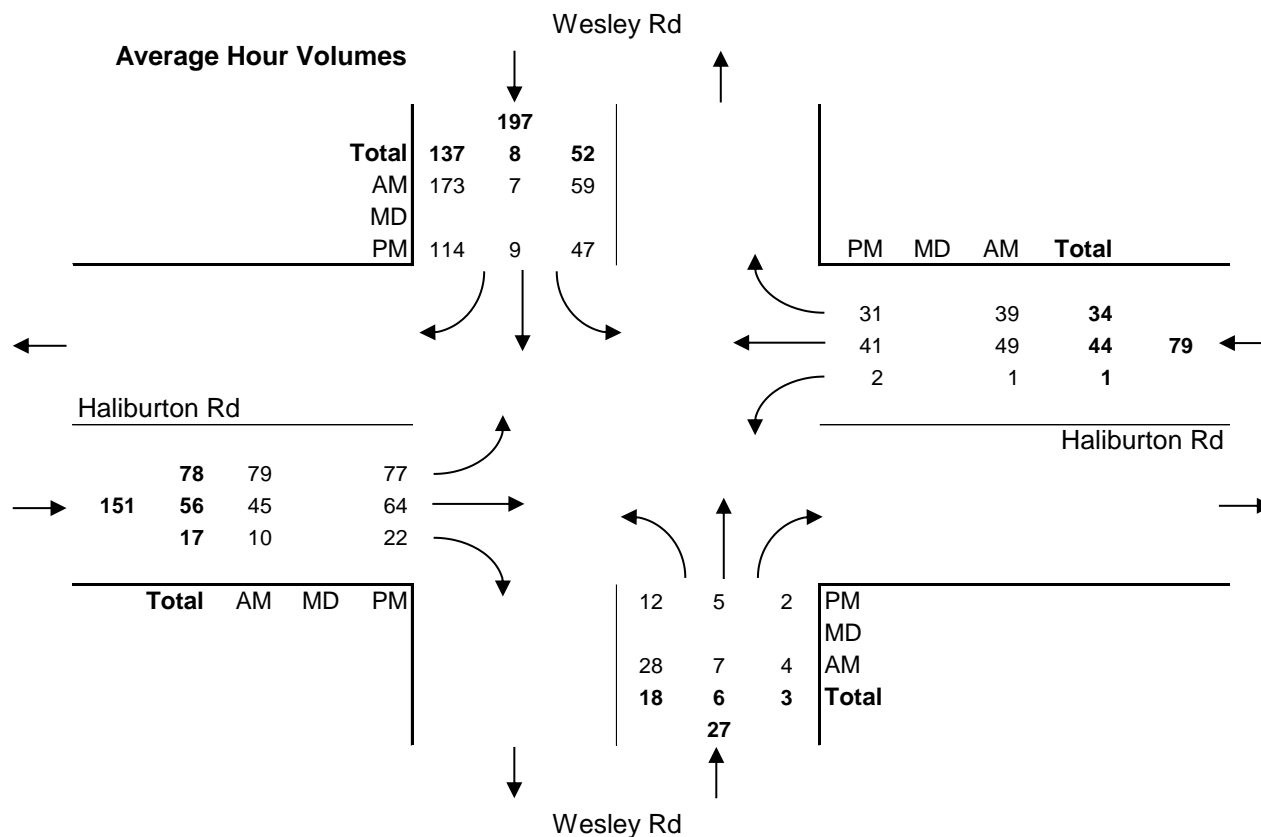
Hours

	Wesley Rd				Wesley Rd				Haliburton Rd				Haliburton Rd				Total Volume	Crosswalks			
	NORTH Approach				SOUTH Approach				WEST Approach				EAST Approach					N	S	W	E
	Left	Thru	Right	Total	Left	Thru	Right	Total	Left	Thru	Right	Total	Left	Thru	Right	Total					
Total																					
Avg Hr																					

PM Peak Period

3 Hours

	Wesley Rd				Wesley Rd				Haliburton Rd				Haliburton Rd				Total Volume	Crosswalks			
	NORTH Approach				SOUTH Approach				WEST Approach				EAST Approach					N	S	W	E
	Left	Thru	Right	Total	Left	Thru	Right	Total	Left	Thru	Right	Total	Left	Thru	Right	Total					
Total	141	26	341	508	37	16	7	60	232	193	65	490	5	123	92	220	1278	68	5	50	5
Avg Hr	47	9	114	169	12	5	2	20	77	64	22	163	2	41	31	73	426	23	2	17	2



Major Route: Haliburton Road
Minor Route: Wesley Road
Municipality: Saanich
Filename: Haliburton Rd @ Wesley Rd-Mar 5, 2020.xlsx
Location #: TIN001627
Count ID: 202007
Date: March 5, 2020
Day-of-week: Thursday

East/West Route: Haliburton Road
Intersection Type: 4-leg
Signalized?: No
Weather: Rain and wet

Vehicle Classifications: Vehicles and Peds
 Bikes

This data is for Bikes

Shift	Start	End	Duration
AM	7:30	9:30	2.00
MD			
PM	15:30	18:30	3.00
Total	7:30	18:30	5.00

Notes: 24-hour clock used for reporting (15-minute increments)
 North Approach - southbound vehicles approaching intersection from the north
 15x4 - 15 min volume (from maximum 15 minute period of movement/approach in peak hour period [*]) x 4
 Pedestrians - N indicates pedestrians crossing north approach (east/west)

Comments:

Time Period Begins	Wesley Rd NORTH Approach				Wesley Rd SOUTH Approach				Haliburton Rd WEST Approach				Haliburton Rd EAST Approach				Total Volume		Per Day				
	Left	Thru	Right	Total	Left	Thru	Right	Total	Left	Thru	Right	Total	Left	Thru	Right	Total	15-min	Hour		N	S	W	E
7:30	0	0	0	0	0	0	0	0	0	0	0	0	0	0	0	0	0		0	0	0	0	
7:45	0	0	0	0	0	0	0	0	0	0	1	0	1	0	0	0	0	1		0	0	0	0
8:00	0	0	0	0	0	0	0	0	0	0	0	0	0	0	0	0	0	*	0	0	0	0	
8:15	1	0	1	2	0	0	0	0	0	0	0	0	0	0	0	0	0	3*	0	0	0	0	
8:30	1	0	0	1	0	0	0	0	0	0	0	0	0	0	0	0	0	4*	0	0	0	0	
8:45	0	0	0	0	0	0	0	0	0	0	0	0	0	1	4	5	5	8+	0	0	0	0	
9:00	0	0	0	0	0	0	0	0	0	0	0	0	0	0	0	0	0	8	0	0	0	0	
9:15	1	0	0	1	0	0	0	0	0	0	0	0	0	0	0	0	1	7	0	0	0	0	
n/a																							
n/a																							
n/a																							
n/a																							
n/a																							
n/a																							
n/a																							
n/a																							
n/a																							
n/a																							
n/a																							
n/a																							
Total	3	0	1	4	0	0	0	0	0	1	0	1	0	1	4	5	10		0	0	0	0	

n/a																						
n/a																						
n/a																						
n/a																						
n/a																						
n/a																						
n/a																						
n/a																						
n/a																						
n/a																						
n/a																						
n/a																						
n/a																						
n/a																						
n/a																						
Total																						

15:30	2	0	0	2	0	0	0	0	0	0	0	0	0	0	0	0	2		0	0	0	0
15:45	0	0	0	0	0	0	0	0	0	0	0	0	0	0	0	0	0		0	0	0	0
16:00	1	0	0	1	0	0	0	0	0	0	0	0	0	0	0	0	1		0	0	0	0
16:15	0	0	0	0	0	0	0	0	0	0	0	0	0	0	0	0	0	3	0	0	0	0
16:30	0	0	0	0	0	0	0	0	0	0	0	0	0	0	0	0	0	1	0	0	0	0
16:45	0	1	0	1	0	0	0	0	0	0	0	0	0	0	0	0	1	2*	0	0	0	0
17:00	0	0	0	0	0	0	0	0	0	0	0	0	0	1	1	1	1	2*	0	0	0	0
17:15	0	0	0	0	0	0	0	0	0	0	0	0	0	0	0	0	0	2*	0	0	0	0
17:30	1	0	0	1	0	1	0	1	0	0	0	0	0	0	0	0	2	4+	0	0	0	0
17:45	0	0	0	0	0	0	0	0	0	0	0	0	0	1	1	1	1	4	0	0	0	0
18:00	0	0	0	0	0	0	0	0	0	0	0	0	0	0	0	0	0	3	0	0	0	0
18:15	0	0	0	0	0	0	0	0	0	0	0	0	0	1	1	1	1	4	0	0	0	0
n/a																						
n/a																						
n/a																						
n/a																						
n/a																						
n/a																						
n/a																						
Total	4	1	0	5	0	1	0	1	0	0	0	0	0	3	3	9		0	0	0	0	

Time Period Begins	Wesley Rd NORTH Approach				Wesley Rd SOUTH Approach				Haliburton Rd WEST Approach				Haliburton Rd EAST Approach				Total Volume		15 min	Hour	Conflict			
	Left	Thru	Right	Total	Left	Thru	Right	Total	Left	Thru	Right	Total	Left	Thru	Right	Total	N	S				W	E	15 min
7:30	0	0	0	0	0	0	0	0	0	0	0	0	0	0	0	0	0	0	0	0	0	0		
7:45	0	0	0	0	0	0	0	0	0	1	0	1	0	0	0	0	1	0	0	0	0	1		
8:00	0	0	0	0	0	0	0	0	0	0	0	0	0	0	0	0	0	0	0	0	0	0		
8:15	1	0	1	2	0	0	0	0	0	0	0	0	0	0	0	0	2	3	*	0	0	0	1	2
8:30	1	0	0	1	0	0	0	0	0	0	0	0	0	0	0	1	4	*	0	0	0	0	1	3
8:45	0	0	0	0	0	0	0	0	0	0	0	0	1	4	5	5	8	+	0	0	0	0	5	7
9:00	0	0	0	0	0	0	0	0	0	0	0	0	0	0	0	0	8		0	0	0	0	0	7
9:15	1	0	0	1	0	0	0	0	0	0	0	0	0	0	0	1	7		0	0	0	0	1	7
n/a																								
n/a																								
n/a																								
n/a																								
n/a																								
n/a																								
n/a																								
n/a																								
n/a																								
n/a																								
n/a																								
n/a																								
n/a																								
n/a																								
n/a																								
n/a																								
n/a																								
n/a																								
n/a																								
n/a																								
n/a																								
n/a																								
n/a																								
n/a																								
n/a																								

Total	3	0	1	4	0	0	0	0	0	1	0	1	0	1	4	5	10							
Avg Hr	2	0	1	2	0	0	0	0	0	1	0	1	0	1	2	3	5							

	0	0	0	0		
	0	0	0	0		8

Peak hour of the intersection

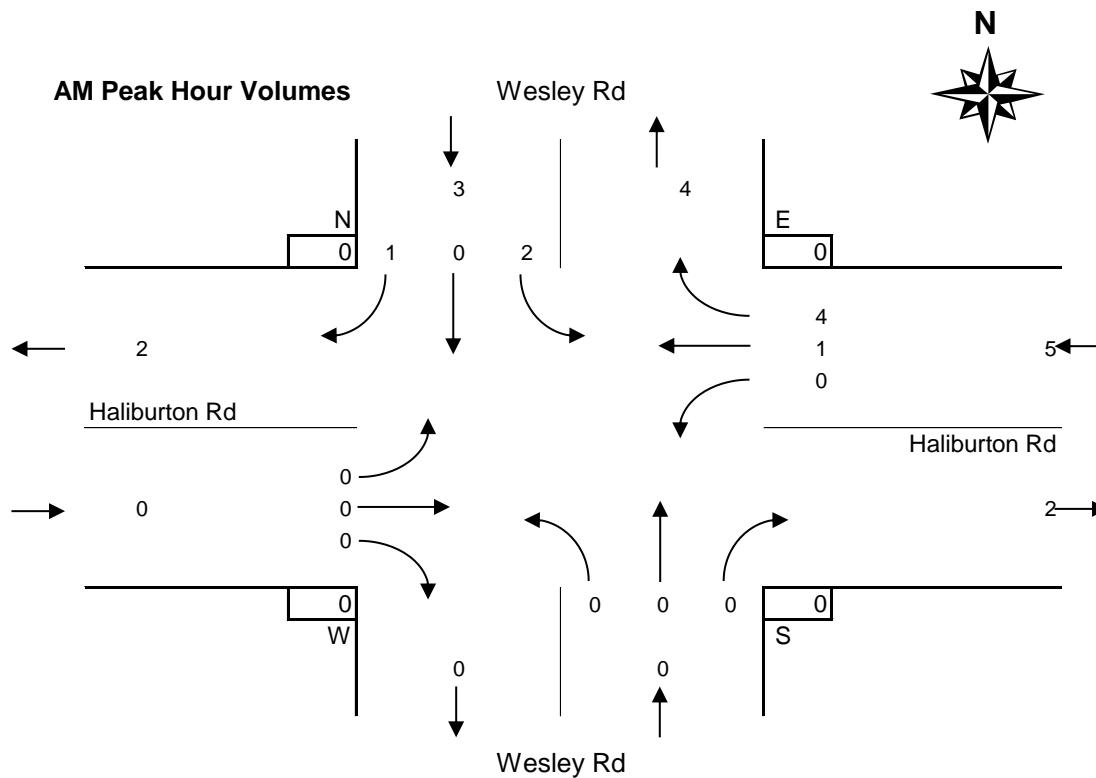
Pk Hr	2	0	1	3	0	0	0	0	0	0	0	0	0	1	4	5	8*							
15x4	4	0	4	8	0	0	0	0	0	0	0	0	0	4	16	20	20*							
PHF	0.50	n/a	0.25	0.38	n/a	n/a	n/a	n/a	n/a	n/a	n/a	n/a	n/a	0.25	0.25	0.25	0.40							

	0	0	0	0		
	0	0	0	0		7
	0	0	0	0		24
	n/a	n/a	n/a	n/a		0.29

Peak hour of conflicting volumes for the intersection

Pk Hr	2	0	1	3	0	0	0	0	0	0	0	0	0	1	4	5	8*							
15x4	4	0	4	8	0	0	0	0	0	0	0	0	0	4	16	20	20*							
PHF	0.50	n/a	0.25	0.38	n/a	n/a	n/a	n/a	n/a	n/a	n/a	n/a	n/a	0.25	0.25	0.25	0.40							

	0	0	0	0		
	0	0	0	0		7
	0	0	0	0		24
	n/a	n/a	n/a	n/a		0.29



Time Period Begins	Wesley Rd NORTH Approach				Wesley Rd SOUTH Approach				Haliburton Rd WEST Approach				Haliburton Rd EAST Approach				Total Volume		Speed	Conflict								
	Left	Thru	Right	Total	Left	Thru	Right	Total	Left	Thru	Right	Total	Left	Thru	Right	Total	15-min	Hour		N	S	W	E	15 min	Hr			
n/a																												
n/a																												
n/a																												
n/a																												
n/a																												
n/a																												
n/a																												
n/a																												
n/a																												
n/a																												
n/a																												
n/a																												
n/a																												
n/a																												
n/a																												

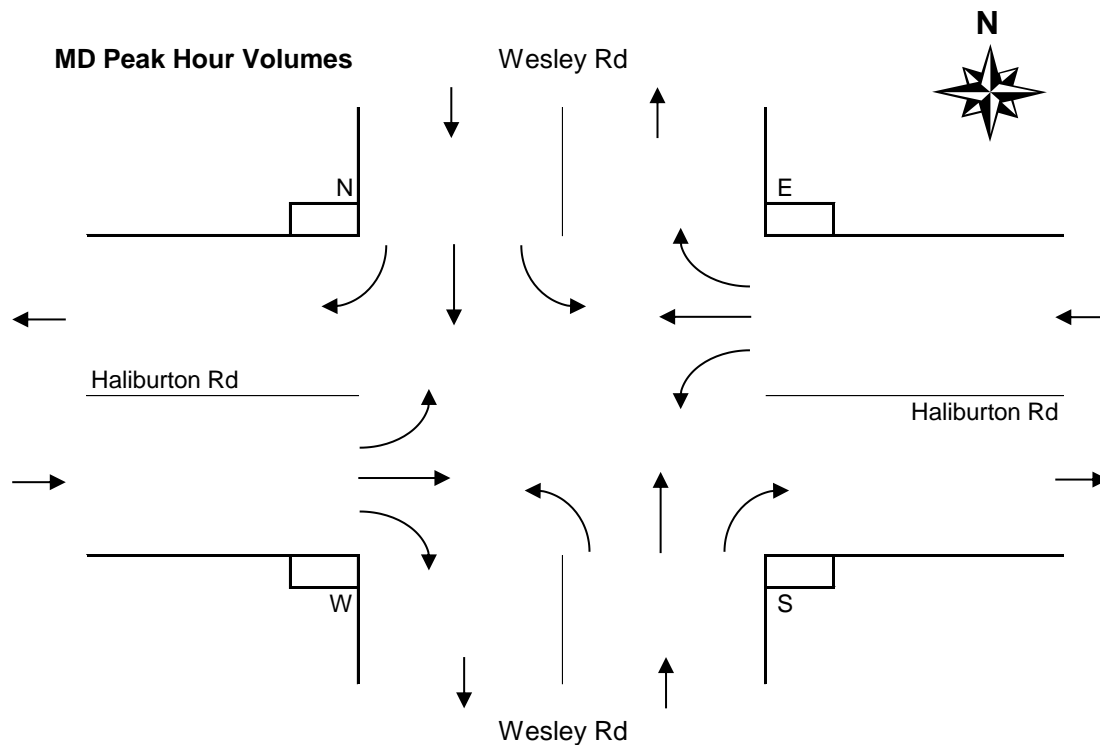
Total																													
Avg Hr																													

Peak hour of the intersection

Pk Hr																													
15x4																													
PHF																													

Peak hour of conflicting volumes for the intersection

Pk Hr																													
15x4																													
PHF																													



Time Period Begins	Wesley Rd NORTH Approach				Wesley Rd SOUTH Approach				Haliburton Rd WEST Approach				Haliburton Rd EAST Approach				Total Volume		Speed	Conflict						
	Left	Thru	Right	Total	Left	Thru	Right	Total	Left	Thru	Right	Total	Left	Thru	Right	Total	15-min	Hour		N	S	W	E	15 min	Hr	
15:30	2	0	0	2	0	0	0	0	0	0	0	0	0	0	0	0	2		0	0	0	0	2			
15:45	0	0	0	0	0	0	0	0	0	0	0	0	0	0	0	0	0		0	0	0	0	0			
16:00	1	0	0	1	0	0	0	0	0	0	0	0	0	0	0	0	1		0	0	0	0	1			
16:15	0	0	0	0	0	0	0	0	0	0	0	0	0	0	0	0	0	3		0	0	0	0	3		
16:30	0	0	0	0	0	0	0	0	0	0	0	0	0	0	0	0	1		0	0	0	0	0	1		
16:45	0	1	0	1	0	0	0	0	0	0	0	0	0	0	0	0	2	*	0	0	0	0	1	2		
17:00	0	0	0	0	0	0	0	0	0	0	0	0	0	0	1	1	1		0	0	0	0	1	2		
17:15	0	0	0	0	0	0	0	0	0	0	0	0	0	0	0	0	2	*	0	0	0	0	0	2		
17:30	1	0	0	1	0	1	0	1	0	0	0	0	0	0	0	0	2	4+	0	0	0	0	2	4		
17:45	0	0	0	0	0	0	0	0	0	0	0	0	0	0	1	1	1		0	0	0	0	1	4		
18:00	0	0	0	0	0	0	0	0	0	0	0	0	0	0	0	0	0	3		0	0	0	0	0	3	
18:15	0	0	0	0	0	0	0	0	0	0	0	0	0	0	1	1	1	4		0	0	0	0	1	4	
n/a																										
n/a																										
n/a																										
n/a																										
n/a																										
n/a																										
n/a																										
n/a																										
n/a																										
n/a																										
n/a																										
n/a																										

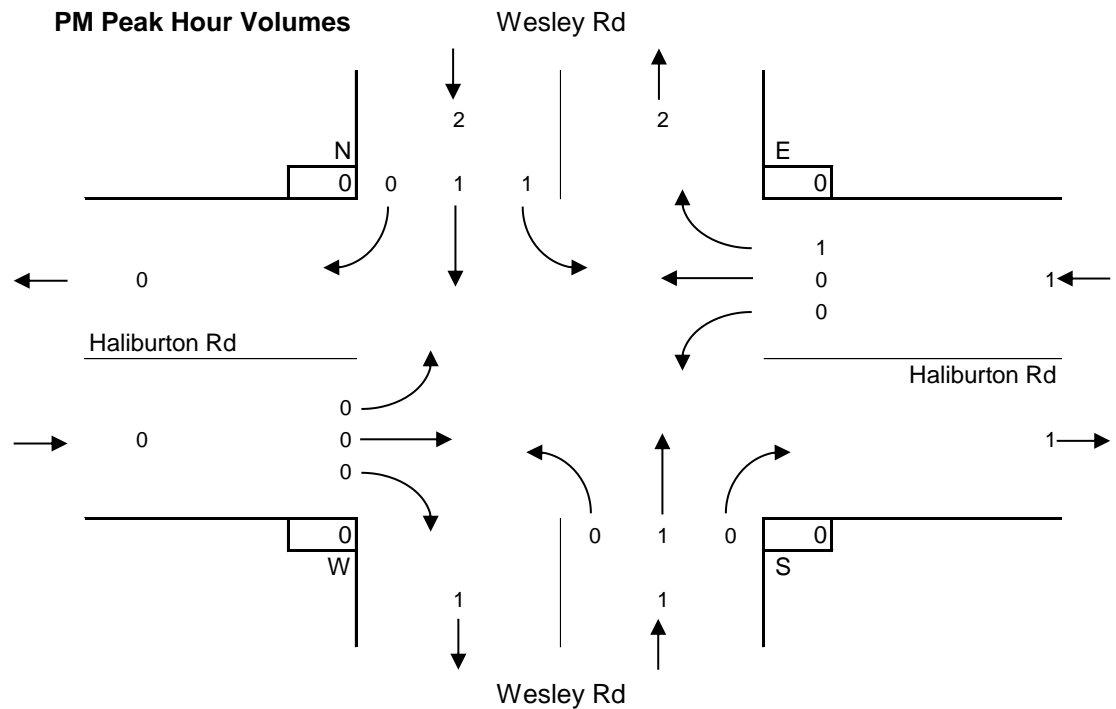
Total	4	1	0	5	0	1	0	1	0	0	0	0	0	0	3	3	9			0	0	0	0			8
Avg Hr	1	0	0	2	0	0	0	0	0	0	0	0	0	0	1	1	3			0	0	0	0			

Peak hour of the intersection

Pk Hr	1	1	0	2	0	1	0	1	0	0	0	0	0	0	1	1	4*			0	0	0	0			3
15x4	4	4	0	4	0	4	0	4	0	0	0	0	0	0	4	4	8+			0	0	0	0			12
PHF	0.25	0.25	n/a	0.50	n/a	0.25	n/a	0.25	n/a	n/a	n/a	n/a	n/a	n/a	0.25	0.25	0.50			n/a	n/a	n/a	n/a			0.25

Peak hour of conflicting volumes for the intersection

Pk Hr	1	1	0	2	0	1	0	1	0	0	0	0	0	0	1	1	4*			0	0	0	0			3
15x4	4	4	0	4	0	4	0	4	0	0	0	0	0	0	4	4	8+			0	0	0	0			12
PHF	0.25	0.25	n/a	0.50	n/a	0.25	n/a	0.25	n/a	n/a	n/a	n/a	n/a	n/a	0.25	0.25	0.50			n/a	n/a	n/a	n/a			0.25



Entire Survey Period

5 Hours

	Wesley Rd				Wesley Rd				Haliburton Rd				Haliburton Rd				Total Volume				
	NORTH Approach				SOUTH Approach				WEST Approach				EAST Approach					N	S	W	E
	Left	Thru	Right	Total	Left	Thru	Right	Total	Left	Thru	Right	Total	Left	Thru	Right	Total					
Total	7	1	1	9	0	1	0	1	0	1	0	1	0	1	7	8	19	0	0	0	0
Avg Hr	1	0	0	2	0	0	0	0	0	0	0	0	0	0	1	2	4	0	0	0	0

AM Peak Period

2 Hours

	Wesley Rd				Wesley Rd				Haliburton Rd				Haliburton Rd				Total Volume				
	NORTH Approach				SOUTH Approach				WEST Approach				EAST Approach					N	S	W	E
	Left	Thru	Right	Total	Left	Thru	Right	Total	Left	Thru	Right	Total	Left	Thru	Right	Total					
Totals	3	0	1	4	0	0	0	0	0	1	0	1	0	1	4	5	10	0	0	0	0
Avg Hr	2	0	1	2	0	0	0	0	0	1	0	1	0	2	3	5	0	0	0	0	

MD Peak Period

Hours

	Wesley Rd				Wesley Rd				Haliburton Rd				Haliburton Rd				Total Volume				
	NORTH Approach				SOUTH Approach				WEST Approach				EAST Approach					N	S	W	E
	Left	Thru	Right	Total	Left	Thru	Right	Total	Left	Thru	Right	Total	Left	Thru	Right	Total					
Total																					
Avg Hr																					

PM Peak Period

3 Hours

	Wesley Rd				Wesley Rd				Haliburton Rd				Haliburton Rd				Total Volume				
	NORTH Approach				SOUTH Approach				WEST Approach				EAST Approach					N	S	W	E
	Left	Thru	Right	Total	Left	Thru	Right	Total	Left	Thru	Right	Total	Left	Thru	Right	Total					
Totals	4	1	0	5	0	1	0	1	0	0	0	0	0	0	3	3	9	0	0	0	0
Avg Hr	1	0	0	2	0	0	0	0	0	0	0	0	0	1	1	3	0	0	0	0	

